

164 19 63 99 04 - Dali Multi3 repeater LI

Product Features

- The E-VSA's connected with the repeater function as a group
- Can be addressed via DALI
- Cascadable
- Expansion of DALI systems with 64 ballasts each
- Expands the DALI line by 300m
- Touch DIM control of 64 DALI ECGs
- Max. input power: 4W

1. Dimension



Lenght	189,0mm
Width	30,0mm
Height	21,0mm
Product weight	69,00g

1. Technical data

Electrical Data	
Nominal voltage	230V
Netfrequency	50/60Hz
System power	4,0W

Temperature	
Ambient temperature range	0...+50°C

Power	
Dimmable	NO
Dimmer interface	DALI
Number of control outputs	4,0W
Mounting type	Recessed luminaire

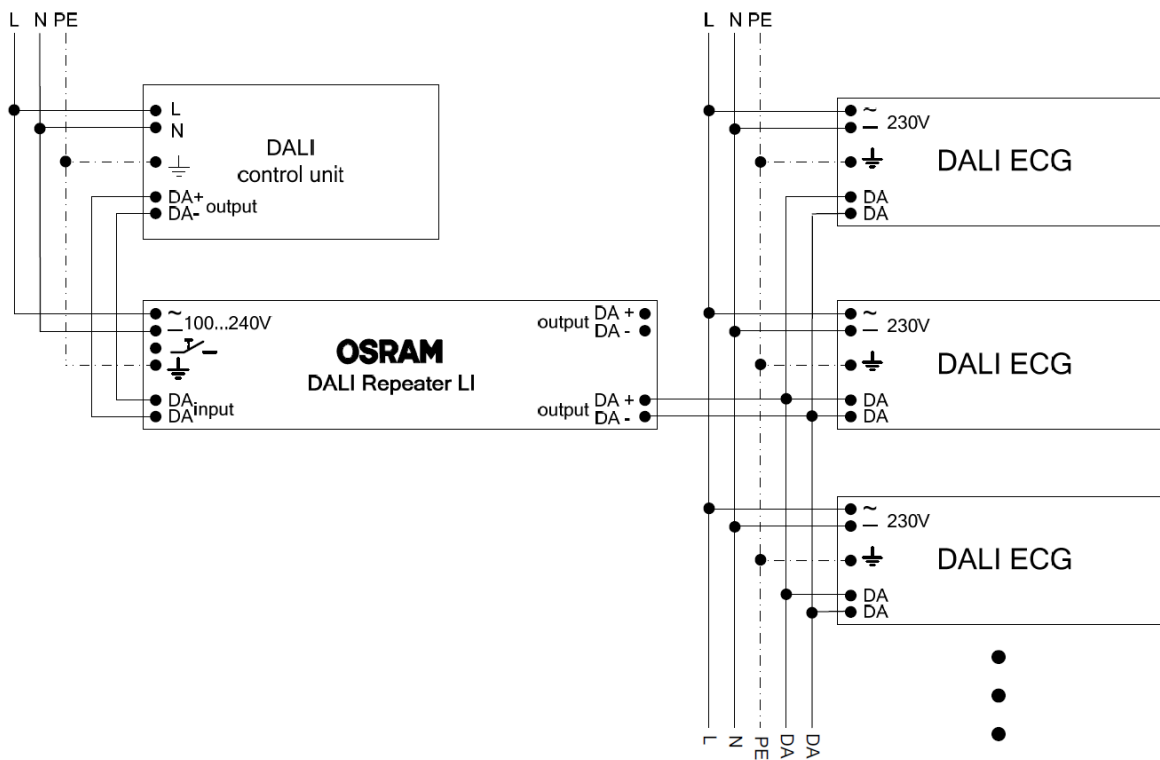
Temperature	
Protection type	IP20
Safetyclass	II

LEDsGO BVBA

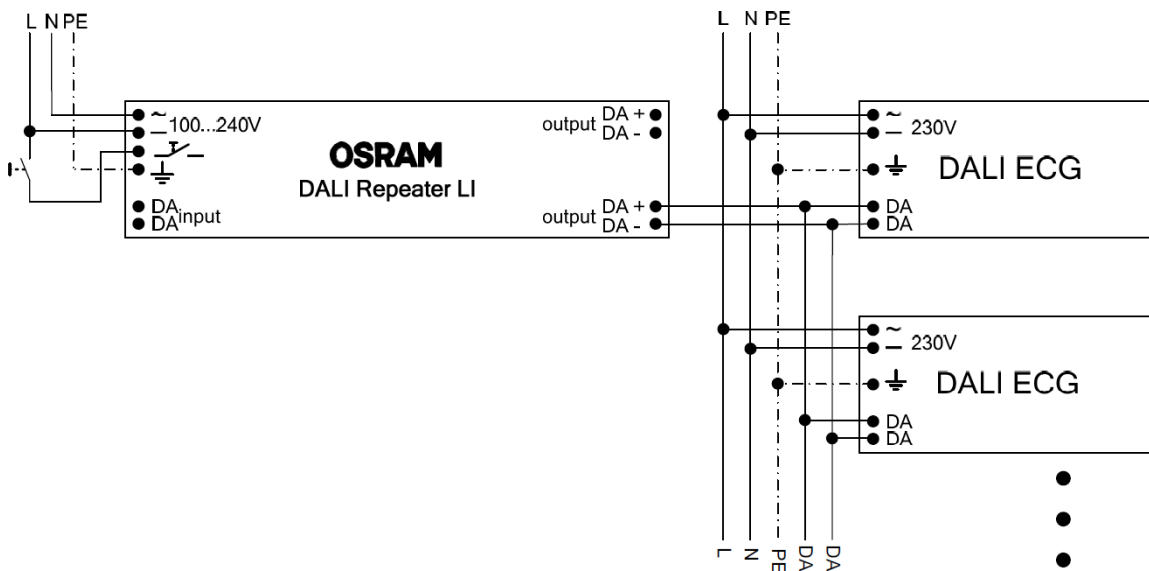
Drieslaan 6 | B-8560 Wevelgem (Moorsele) | Tel +32 (0) 56 424 992 | Fax +32 (0) 56 435 707
BTW BE 0824.326.685 | ING IBAN BE47 3630 7083 3480 | BIC BBRUBEBB

7. Wiring schemes:

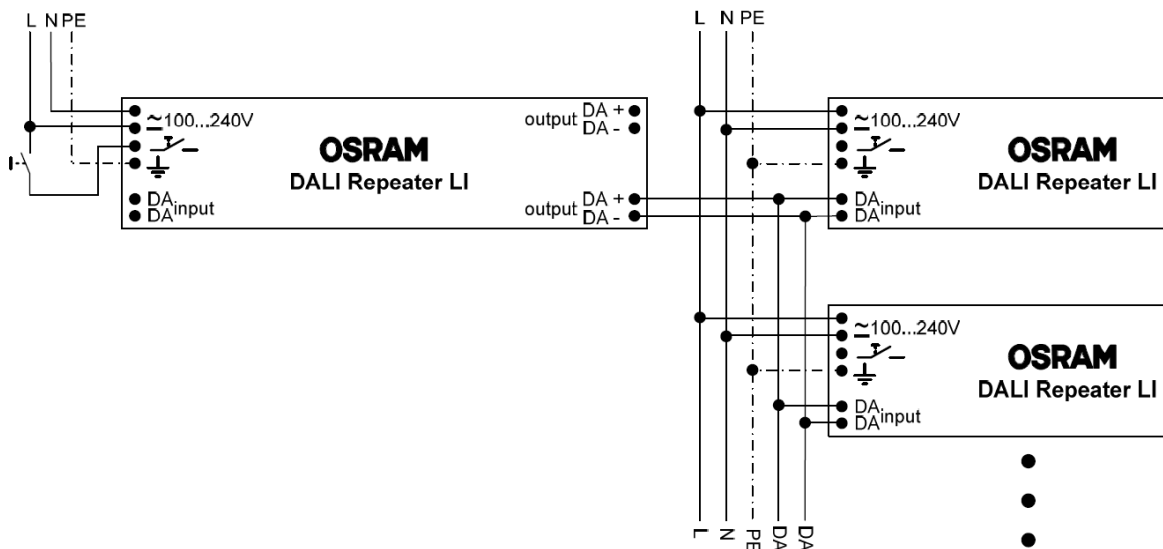
1. Repeater in DALI operation:



2. Repeater in touch DIM operation for up to 64 ECG:



2. Repeater in touch DIM operation for up to 64 x 64 EVG:



Hints

- In touch DIM operation the DALI input terminal must not be connected.
- The maximal overall wire length at the push button input should not exceed 100m. Further points of control can be achieved by parallel connection of several push buttons. Push buttons with glow indication lamps in parallel to the push to make contact are inapplicable.
- Both outputs of the DALI Repeater LI are electrically interconnected. To simplify the connection the layout is done by pairs.
- In total over both outputs a maximum number of 64 DALI ECG or DALI REPEATERS may be connected.