

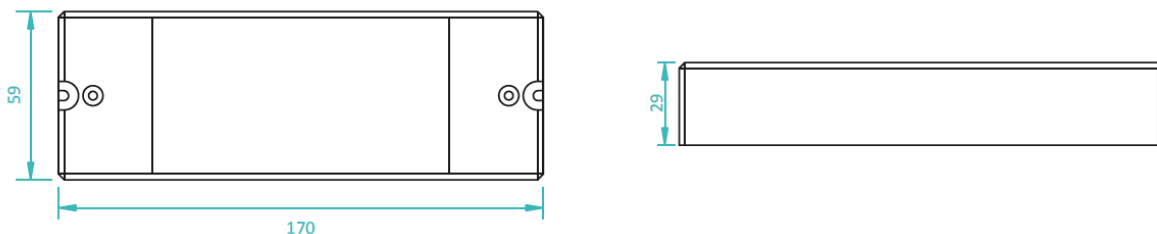
17 10 24 009 Led signal amplifier RGBW DC24V



1. Features

- Repeater dimming signal
- One channel/three channel/four channel optional, max up to 24A per channel
- Constant voltage
- To receive PWM signal control
- Power repeater in series to expand output unlimitedly

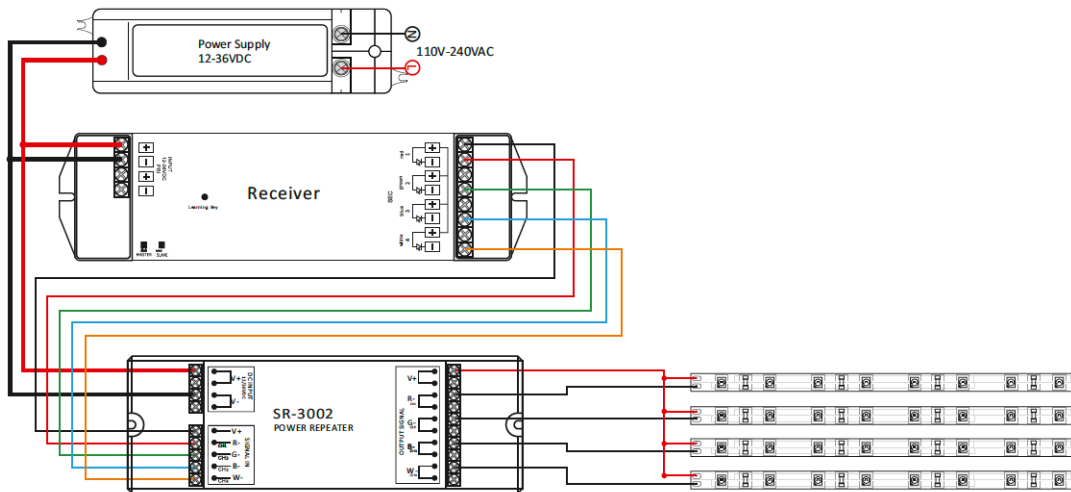
2. Dimensions



LEDsGO BVBA

Drieslaan 6 | B-8560 Wevelgem (Moorsele) | Tel +32 (0) 56 424 992 | Fax +32 (0) 56 435 707  
 BTW BE 0824.326.685 | ING IBAN BE47 3630 7083 3480 | BIC BBRUBEBB

## 3. Wiring diagram



## 4. Operation and warnings

LED power repeater is suitable for all of our single color & RGB controllers to expand power output, it supports PWM control and can connect one to three times more LEDs by adding one more power repeater, and unlimited power repeaters can be connected together theoretically.

Warnings:

- 1) The product shall be installed and serviced by a qualified person.
- 2) IP20. Please avoid the sun and rain. When installed outdoors, please ensure it is mounted in a water proof enclosure.
- 3) Always be sure to mount this unit in an area with proper ventilation to avoid overheating.
- 4) Please check if the output voltage of any LED power supplies used comply with the working voltage of the product.
- 5) Never connect any cables while power is on and always assure correct connections to avoid short circuits before switching on.
- 6) Please ensure that the cable is secured tightly in the connector
- 7) For update information please consult your supplier.

## 5. Warranty

- 1) We provide lifelong technical assistance with this product:
  - 5-year warranty. We print date on every products, for example :1125 means year 2011, week 25.
  - The warranty is for free repair or replacement and covers manufacturing faults only.
  - For faults beyond the 3-year warranty we reserve the right to charge for time and parts.
- 2) Limited Warranty
  - Any defects caused by wrong operation.
  - Any damages caused by unauthorized removal, maintenance, modifying, incorrect connection and replacement of chips.
  - Any damages due to transportation, vibration etc. after purchase.
  - Any damages caused by earthquake, fire, lightning, pollution and abnormal voltage.
  - Any damages caused by negligence, inappropriate storing at high temperatures and humidity or near harmful chemicals.
  - Product has been updated
- 3) Repair or replacement as provided under this warranty is the exclusive remedy to the customer.

**LEDsGO BVBA**

Drieslaan 6 | B-8560 Wevelgem (Moorsele) | Tel +32 (0) 56 424 992 | Fax +32 (0) 56 435 707  
 BTW BE 0824.326.685 | ING IBAN BE47 3630 7083 3480 | BIC BBRUBEBB