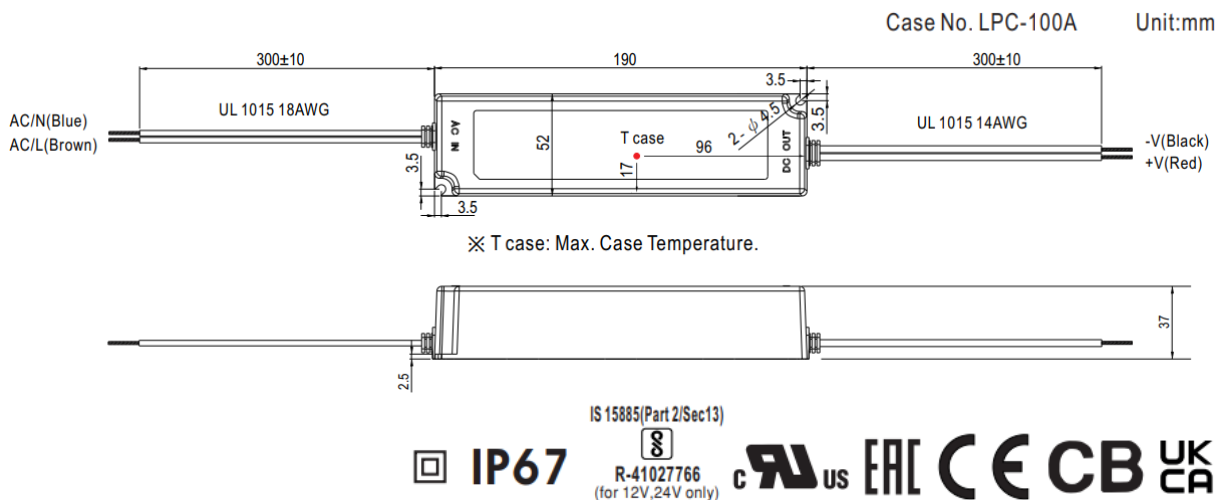


8 380 67 24 60 - IP67 LED power supply

Product Features

- Constant voltage design
- Universal AC input / full range
- Fully encapsulated with IP67 level
- Withstand 300VAC surge input for 5 seconds
- Protections: Short circuit / Overload / Over voltage
- Fully isolated plastic case
- Cooling by free air convection.
- 100% full load burn-in test
- Low cost, high reliability
- Suitable for LED lighting and moving sign applications
- 2 years warranty

1. Dimension



LEDsGO BV

Drieslaan 6 | B-8560 Wevelgem (Moorsele) | Tel +32 (0) 56 424 992
BTW BE 0824.326.685 | ING IBAN BE47 3630 7083 3480 | BIC BBRUBEBB

2. Specifications:

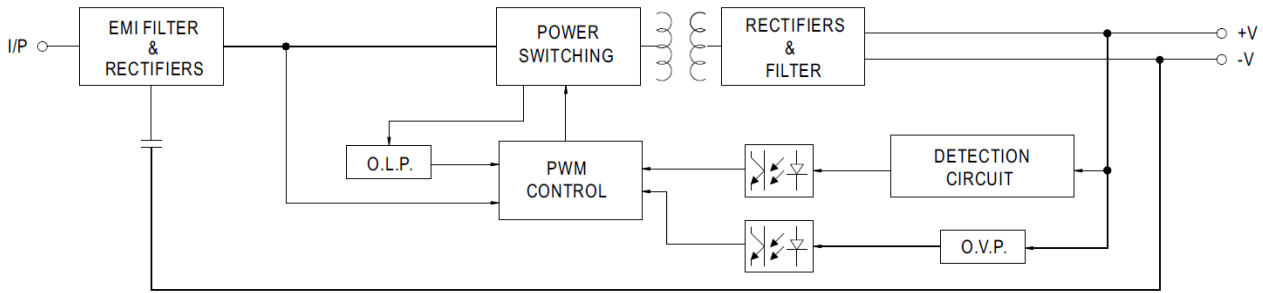
	Parameter	Value
Output	DC voltage	24,0VDC
	Rated current	4,2A
	current range	0-4,2A
	Rated power	100,8W
	Efficiency (typ.)	88%
	Ripple & noise (max.) Note.1	150mVp-p
	Voltage Tolerance Note.2	±5.0%
	Line regulation	±1.0%
	Load regulation	±2.0%
	Setup, rise time Note.3	2000ms, 25ms / 230VAC 2000ms, 25ms / 115VAC at full load
Hold up time (typ.)	50ms/230VAC 14ms / 115VAC at full load	
Input	Voltage range Note.4	90~264VAC 127~370VDC
	Frequency range	47~63Hz
	AC current	2.2A/115VAC 1,2A/230VAC
	Max. No. of PSUs on 16A circuit breaker	2 units (circuit breaker of type B) / 3 units (circuit breaker of type C) at 230VAC
	Inrush current (max.)	Cold start 75A(twidth=700µs measured at 50% Ipeak) at 230VAC
	Leakage current	0.25mA / 240VAC
Protection	Over load	110 ~ 150% rated output power Protection type : Hiccup mode, recovers automatically after fault condition is removed
	Over Voltage	27,6~32,4V Protection type: Shut down o/p voltage, re-power on to recover
Environment	Working temp.	-25 ~ +70°C (Refer to "Derating curve")
	Working humidity	20 ~ 90% RH non-condensing
	Storage temp., humidity	-40 ~ +80°C , 10 ~ 95% RH
	temp. coefficient	±0.03% / °C (0 ~ 50°C)
	vibration	10 ~ 500Hz, 2G 10min./1cycle, period for 60min. each along X, Y, Z axes
Safety & EMC	safety standards	UL8750,CSA C22.2 No 250.13-12,UL879,CSA C22.2 No.207-M89,BIS IS15885(for LPV-100-12,LPV-100-24 only), EAC TP TC 004,IP67, IEC62368-1 , BS EN/EN62368-1 approved
	withstand voltage	I/P-O/P:3KVAC
	isolation resistance	I/P-O/P:>100M Ohms / 500VDC / 25°C / 70% RH
	EMC emission	Compliance to BS EN/EN55032 (CISPR32) Class B, BS EN/EN61000-3-2 Class A(≤80% load), BS EN/EN61000-3-3, EAC TP TC 020
	EMC immunity	Compliance to BS EN/EN61000-4-2,3,4,5,6,8,11; BS EN/EN55035, light industry level, EAC TP TC 020
Note	<p>1. Ripple & noise are measured at 20MHz of bandwidth by using a 12" twisted pair-wire terminated with a 0.1µf & 47µf parallel capacitor.</p> <p>2. Tolerance : includes set up tolerance, line regulation and load regulation.</p> <p>3. Length of set up time is measured at first cold start. Turning ON/OFF the power supply may lead to increase of the set up time.</p> <p>4. Derating may be needed under low input voltage. Please check the static characteristics for more details.</p>	

LEDSSGO BV

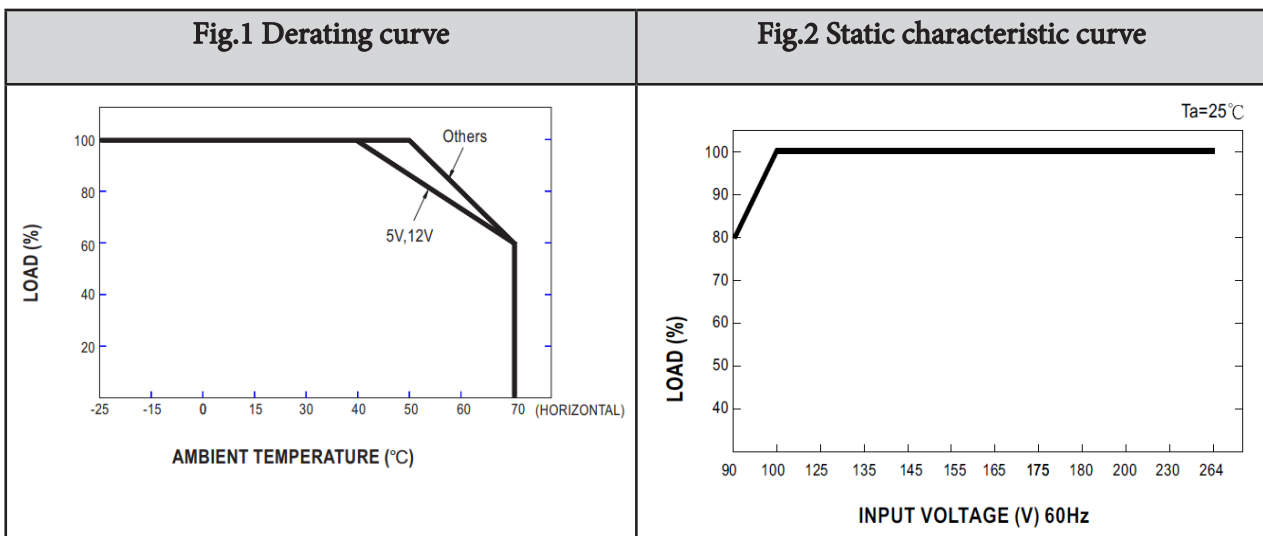
Drieslaan 6 | B-8560 Wevelgem (Moorsele) | Tel +32 (0) 56 424 992
BTW BE 0824.326.685 | ING IBAN BE47 3630 7083 3480 | BIC BBRUBEBB

3. Block diagram:

fosc : 65KHz



4. Characteristic curve:



LEDGO BV

Drieslaan 6 | B-8560 Wevelgem (Moorsele) | Tel +32 (0) 56 424 992
 BTW BE 0824.326.685 | ING IBAN BE47 3630 7083 3480 | BIC BBRUBEBB