

13-2027210 - LEDFLEX IN 10W/m 2700K/C90 5m

13-2030210 - LEDFLEX IN 10W/m 3000K/C90 5m

13-2035210 - LEDFLEX IN 10W/m 3500K/C90 5m

13-2040210 - LEDFLEX IN 10W/m 4000K/C90 5m

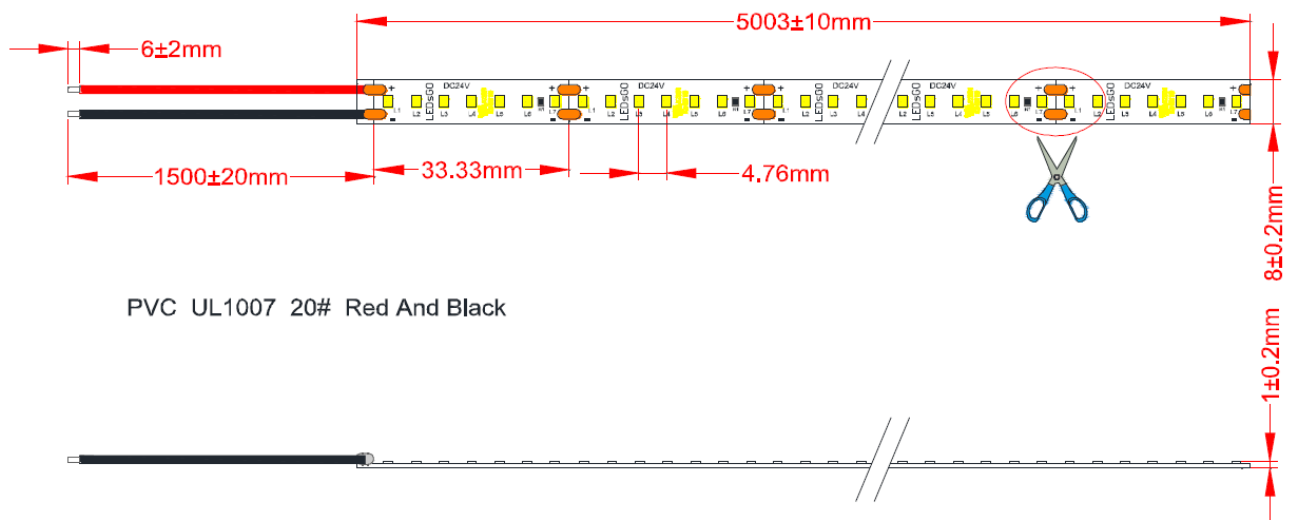
13-2060210 - LEDFLEX IN 10W/m 6000K/C90 5m

- High quality flexible PCB strip with ETL and CE certified
- Use 2216 SMD LED as light source with high brightness and large view angle.
- Environmental friendly
- Use high quality McAdam 3-step LED
- 7pcs LED/ cutting section

1. Specifications

- Led type: 2216 SMD
- Led quantity/m: 210pcs
- Led pitch: 4,76mm
- Max length: 5000mm
- Width: 8mm
- Height: 1mm
- Cutting unit: 33,33mm
- Min bend diameter: 50mm
- IP: IP20
- L70 lifetime: 40000 hrs
- Warranty: 5 years
- Mounting: 3M 4229P tape

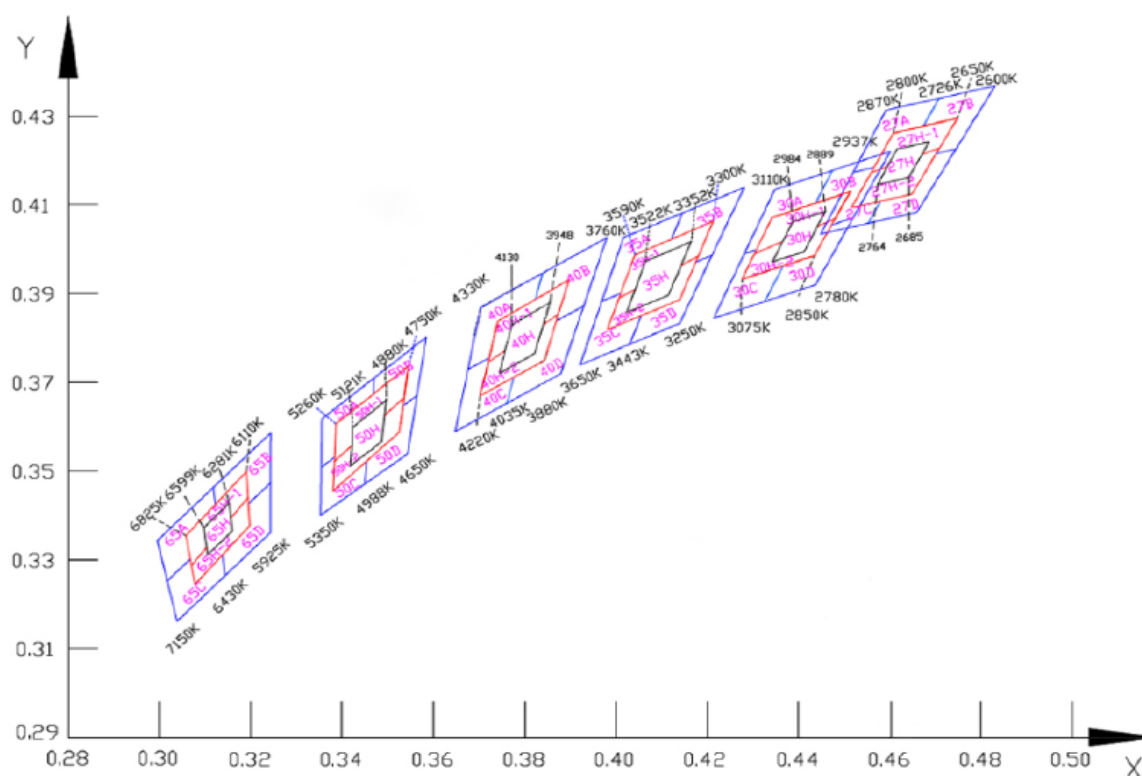
Ta: -25~60°C; TC: 67°C (max)



2. Electronic & output data

- Input voltage: 24VDC
- Typical power: 10W/m
- Typical Luminous flux 1000lm/m
- Typical Efficacy: 100lm/W
- Rated current: 0,416A/m
- CRI: 90
- PCB type: 1 + 2oz copper / 8mm Wide

IV、X,Y(Chromacity co-ordinates)



Part No	CCT	CRI	Typ. power	LM/W	Lumen	VDC	IP
13-2027210	2700K	>90	10W/m	100lm/W	1000lm/m	24	20
13-2030210	3000K	>90	10W/m	100lm/W	1000lm/m	24	20
13-2035210	3500K	>90	10W/m	100lm/W	1000lm/m	24	20
13-2040210	4000K	>90	10W/m	100lm/W	1000lm/m	24	20
13-2060210	6000K	>90	10W/m	100lm/W	1000lm/m	24	20

1. The tolerance of output data can be vary up to 15%
2. The output data tested according to IES TM-30-15

LEDSCO BV

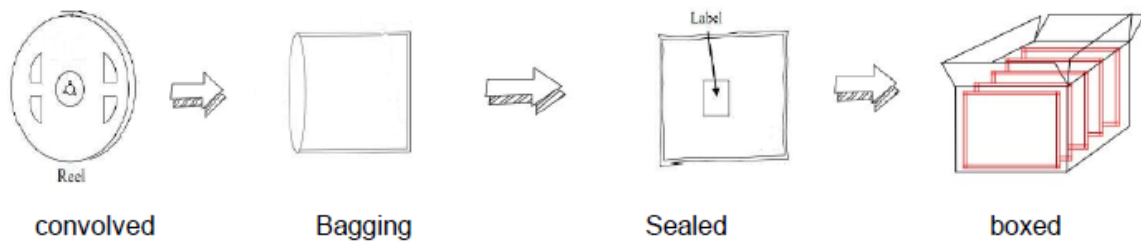
Drieslaan 6 | B-8560 Wevelgem (Moorsele) | Tel +32 (0) 56 424 992
 BTW BE 0824.326.685 | ING IBAN BE47 3630 7083 3480 | BIC BBRUBEBB

3. Power Supply

This LEDFlex has a power of 10W/m. The following table shows how many meters LEDFlex you can connect to one power supply.

rated power	Power supply 35W 24V	Power supply 60W 24V	Power supply 100W 24V	Power supply 150W 24V	Power supply 240W 24V	Power supply 320W 24V
LEDFlex 10W/m	2,8m	4,8m	8m	12m	19,2m	25,6m

4. Packing



5. Precautions

- Do not cut the strip while connecting to the power supply.
- Do not connect to power higher than the rated voltage
- Do not twist the strip
- Do not pull the strip
- The LEDs are not replaceable
- The minimal bending radius: 25mm, diameter = 50mm
- Do not connect the LED strip with reversed voltage polarity



LEDGO BV

Drieslaan 6 | B-8560 Wevelgem (Moorsele) | Tel +32 (0) 56 424 992
BTW BE 0824.326.685 | ING IBAN BE47 3630 7083 3480 | BIC BBRUBEBB